

Electric submersible pump for wastewater containing solids of up to 28mm.

EKKI LINUS 28 series pumps are suitable for pumping soiled, drainage and wastewater. With their large free passage of 28mm, they are particularly well suited to use with media containing fine solids and short fibers.

■ **Mode of operation:**

The LINUS 28 model is capable of permanent & portable operations. Automatic float switch option is available for automatic pumping operation. This float control option is provided depending on the level of liquid in the sump.

■ **Design & Construction:**

The LINUS 28 is a compact & fully submersible integrated motor-pump unit consisting of the following.

■ **Pump:**

Single stage centrifugal pump with outlet size of 40mm (1.5")

■ **Impeller:**

M type - Open single channel impeller for wastewater containing impurities and sludge with solid particles.

V type - Vortex impeller for wastewater containing high level of impurities, fibers and solids.

■ **Motor:**

Thermal sensors are embedded with the winding.

■ **Cable:**

The cable connection chamber is completely isolated from the motor housing
Cable used - HO7RN-8F | Cable Length - 10m

■ **Shaft / Bearing:**

Large diameter stainless steel shaft, pre-lubricated bearings.

■ **Seals:**

Combination of mechanical seals and lip seals in a separate oil chamber.

■ **Technical data:**

Motor power : 1.0 & 1.5 HP
Voltage : 1 Phase (220V - 240V),
3 Phase (380V - 415V)
Frequency : 50 Hz
Insulation : H Class
Motor protection : IP68
Max. Liquid temp. : 40°C

■ **Material of Construction:**

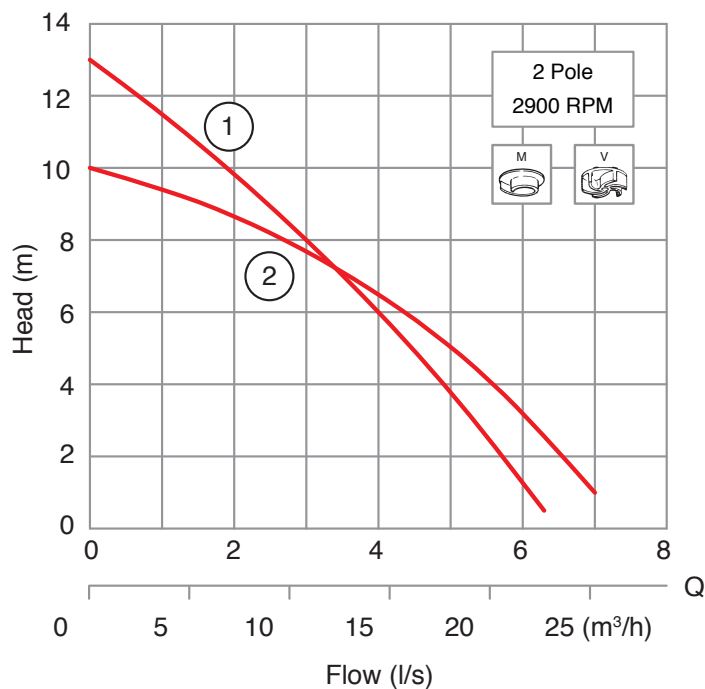
Component	Material
Motor & Pump housing, Impeller	Cast iron FG 260
Mechanical seal / Lip seal	SiC-SiC / NBR
Rotor shaft	SS 431
Fasteners	SS 304, NBR



■ **Applications:**

- ▶ STP & ETP
- ▶ Foundation pits
- ▶ Cow dung wastewater
- ▶ Poultry wastewater
- ▶ Basement water
- ▶ Water with short fibers
- ▶ Septic Tanks
- ▶ Sump water
- ▶ Construction wastewater

■ Performance curve:

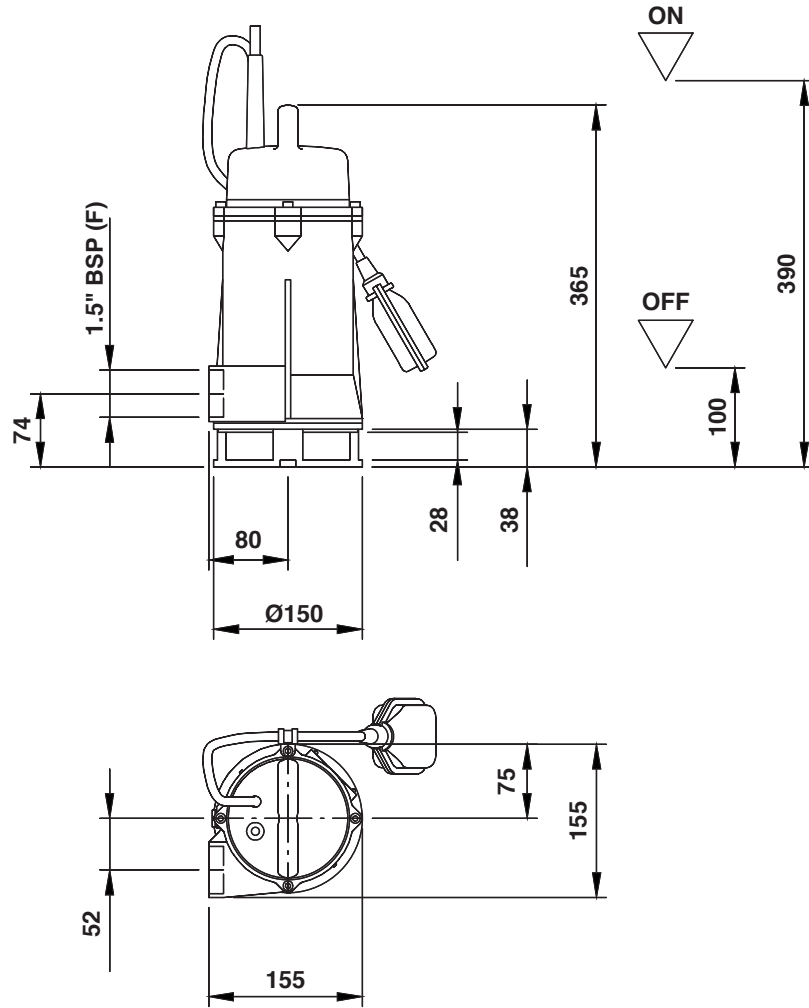


■ Technical table:

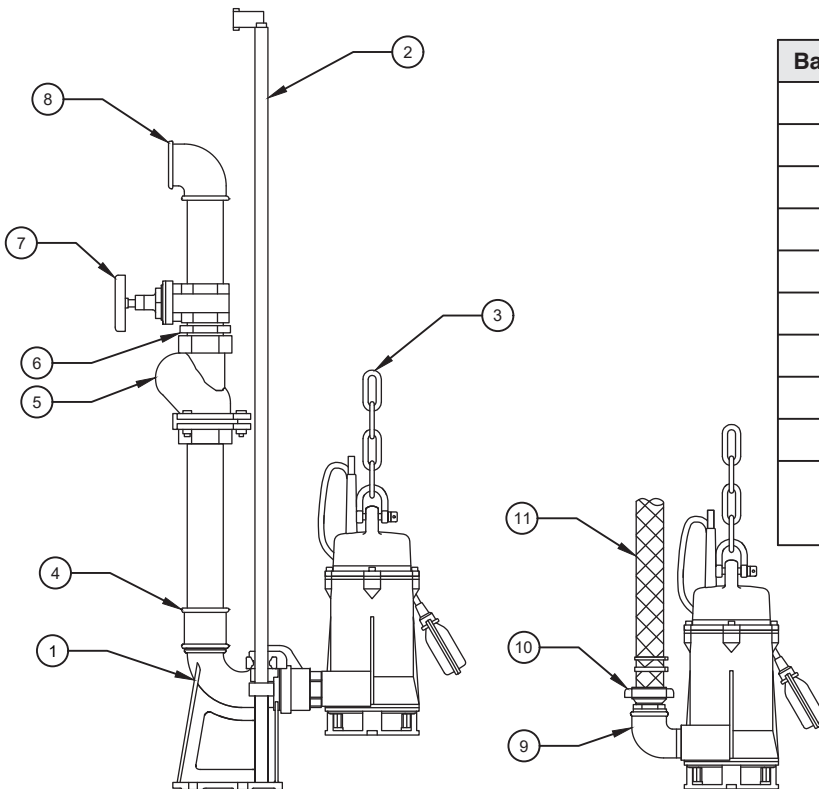
Curve no.	Pump model	Motor Power			Nominal Current (A)	Capacitor (µF)	Speed (rpm)	Solid Handling Capacity (mm)	Weight (kgs)
		P1 (kW)	P2 (kW)	HP					
1	ES28M 10/2 M (F)	1.0	0.7	1.0	4.7	25	2900	28	24
1	ES28M 10/2 T (F)	1.0	0.7	1.0	1.8	-	2900	28	24
2	ES28V 15/2 M (F)	1.1	0.9	1.5	5.6	25	2900	28	24
2	ES28V 15/2 T (F)	1.1	0.9	1.5	2.2	-	2900	28	24

* **ES28M/V** - ES28 - Pump model, M/V - Impeller type | **XX/X** - Motor power/No. of poles | **M** - 230-240 V/1 Ph | **T** - 400-415V/3 Ph
F - Optional float switch | **Capacitor** - Capacitor for applicable models is installed in the pump

■ Dimensional drawing:



■ Pump accessories drawing:



Balloon No.	Item Description	Specification
1	Auto coupling kit	1.5"
2	Guide rail (G.I or SS)	Ø0.5"
3	Pump chain	-
4	G.I nipple	BSP 1.5"
5	Cast swing check valve	BSP 1.5"
6	G.I nipple	BSP 1.5"
7	Gate valve MS	BSP 1.5"
8,9	90° elbow	BSP 1.5"
10	STORZ coupling	BSP 1.5"
11	Synthetic pressure hose with coupling	Ø38 mm